

DONYA

Installation manual



ANOUR 

DONYA - WALL LAMP

Installation manual

SAFETY INSTRUCTIONS:

Important! Before commencing the installation, disconnect the main cable from the power supply - remove fuse or turn switch to "OFF"!

1. Installation should be carried out in accordance with the local safety regulations.
2. In order to prevent damage, please check walls for cables before drilling holes.
3. Please ensure that all electrical connections are securely inserted and tightly fastened. Please secure all connections after changing or adjusting lamps. Screwed connections must ideally be tightened after 20 minutes of use.
4. Please do not place objects on the luminaire (e.g. for decorative purposes) if they were not delivered with the system.
5. The luminaire may get very hot when in use. Please allow the fixture to cool down before commencing work.
6. Do NOT change the lightbulb while the fixture is switched on.
7. Please use the lamp in accordance with its intended purpose only
8. We reserve the right to make technical alterations.

Fitting: **GU10 (max. 6 Watt)**

The glass used for this lamp is hand-blown. Only 1st. quality has been chosen. Air bubbles and variations in thickness and colour are normal. Our products are for indoor use only. Check on a regular basis that the cord and other parts are not damaged. In which case, the product must not be used. Save these instructions for future use. (April, 2, 2020)

CE

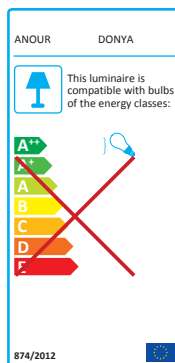
DONYA WALL LAMP

Noir / Gold / Silver

Opal Glass / Metal

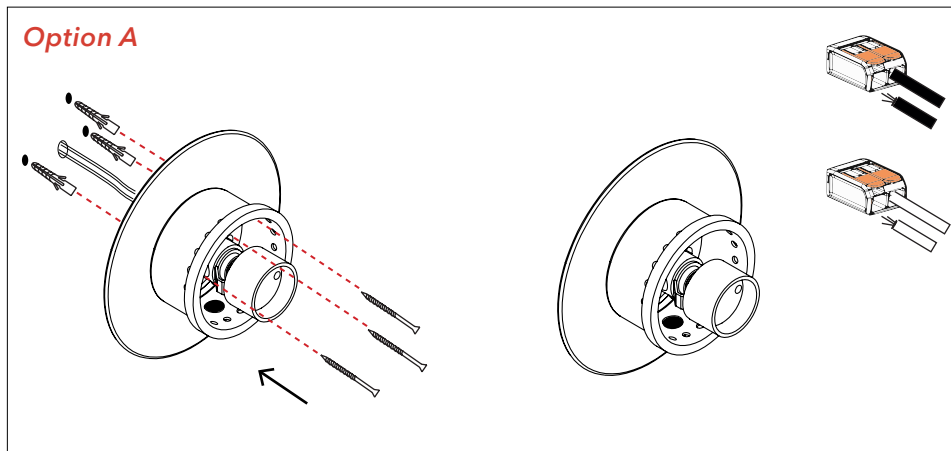
150mm x 255mm

GU10 socket max. 6 Watt (bulb not included)



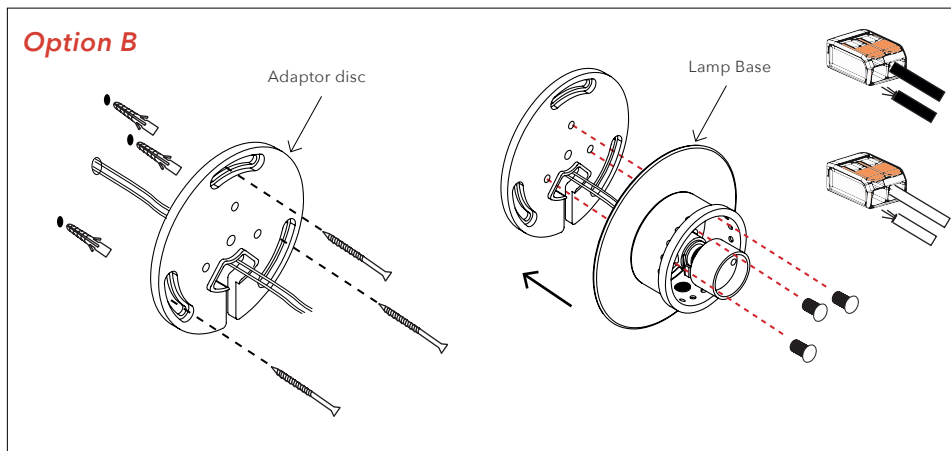
DONYA / WALL LAMP

Installation manual (integrated)



1A. Mount the lamp base to the wall with 3 wall screws and 3 wall plugs. Please make sure it is attached securely to the wall.

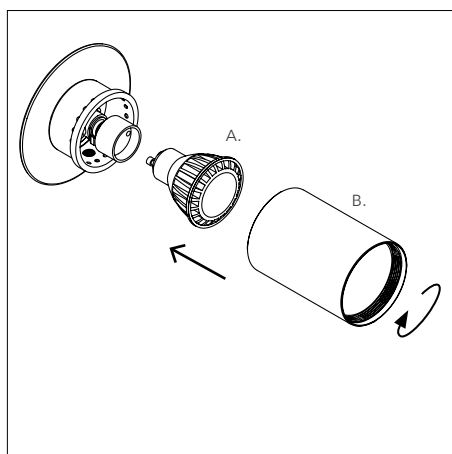
2A. Connect the wire-ends to the WAGO cable connectors.



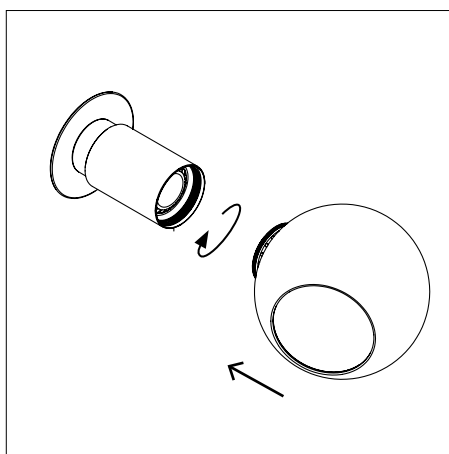
1B. Select and employ screw anchors, which are suited to the surface where the appliance is to be installed. Mount the adaptor disc to the wall with 3 wall screws.

2B. Mount the lamp base to the plastic bracket with 3 screws. Please make sure it is fixated properly. Then, connect the wire-ends to the WAGO cable connectors.

The use of the adaptor disc enables mounting on existing $\varnothing 68\text{mm}$ outlets.



3. Place the Gu10 light bulb in the socket. Then, screw the metal tube with the base. Fixate it by turning te tube clockwise.



4. Screw the glass shade with the base. Fixate it by turning the glass shade clockwise.

Not included: Gu10 light bulb

ANOUR 

Contact@anour.dk
Industrikrogen 6A, 2635 Ishøj,
Denmark

www.anour.dk