

DONYA

Installation manual



ANOUR 

DONYA - TABLE LAMP

Installation manual

SAFETY INSTRUCTIONS:

Important! Before commencing the installation, disconnect the main cable from the power supply - remove fuse or turn switch to "OFF"!

1. Installation should be carried out in accordance with the local safety regulations.
2. In order to prevent damage, please check walls for cables before drilling holes.
3. Please ensure that all electrical connections are securely inserted and tightly fastened. Please secure all connections after changing or adjusting lamps. Screwed connections must ideally be tightened after 20 minutes of use.
4. Please do not place objects on the luminaire (e.g. for decorative purposes) if they were not delivered with the system.
5. The luminaire may get very hot when in use. Please allow the fixture to cool down before commencing work.
6. Do NOT change the lightbulb while the fixture is switched on.
7. Please use the lamp in accordance with its intended purpose only
8. We reserve the right to make technical alterations.

Fitting: **GU10 (max. 6 Watt)**

The glass used for this lamp is hand-blown. Only 1st. quality has been chosen. Air bubbles and variations in thickness and colour are normal. Our products are for indoor use only. Check on a regular basis that the cord and other parts are not damaged. In which case, the product must not be used. Save these instructions for future use. (April, 2, 2020)

CE

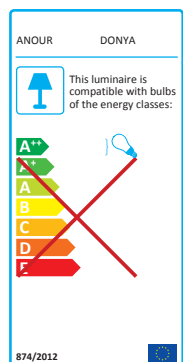
DONYA TABLE LAMP

Noir / Gold / Silver

Opal Glass / Metal

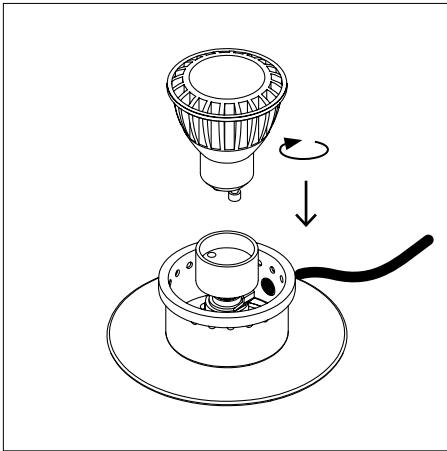
150mm x 255mm / 2m Black textile cord

GU10 socket max. 6 Watt (bulb not included)

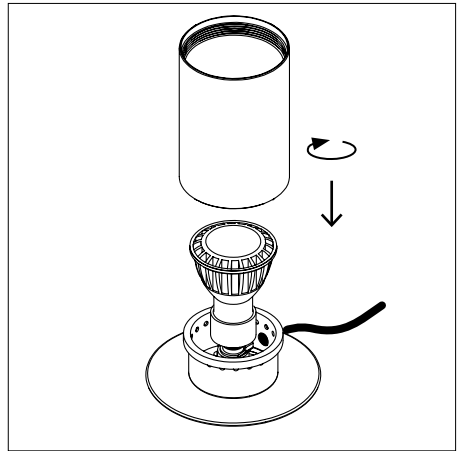


DONYA - TABLE LAMP

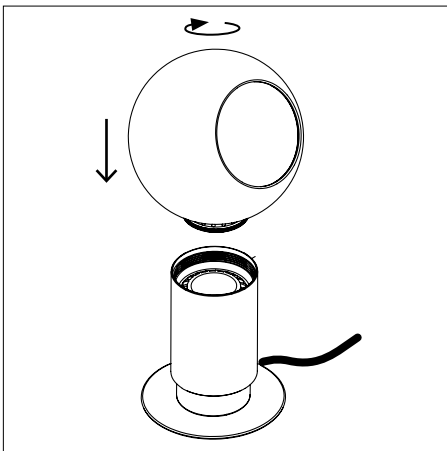
Installation manual



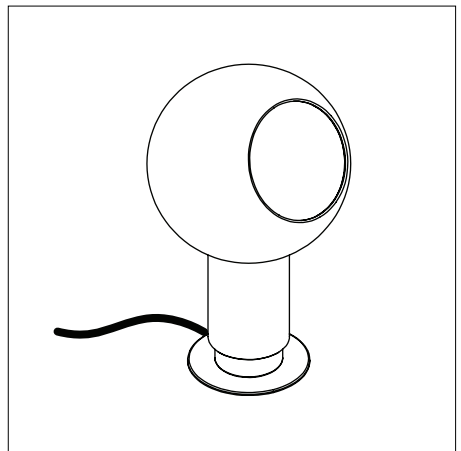
1. Place the GU10 light bulb in the socket.



2. Connect the cylinder with the base as illustrated. Fixate it by turning it all the way clockwise. **Not included:** GU10 light bulb



3. Attach the glass shade to the cylinder as illustrated. Fixate it by turning the glass shade clockwise. Turn it all the way in.



4. The Donya lamp is now complete. Enjoy!